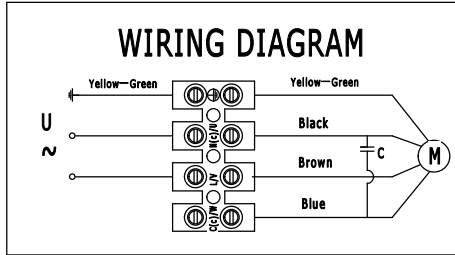


DRAWING NO

Wiring diagrams:

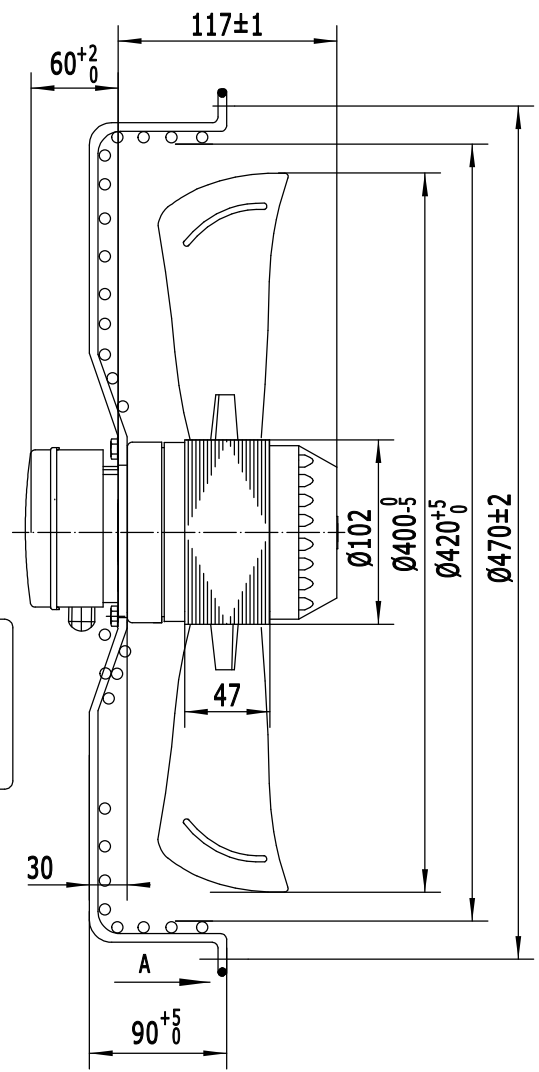
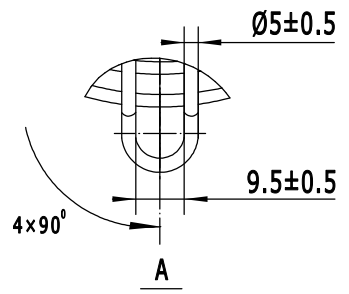


ErP2015 LABEL:

ErP2015 (N40)
 N=44.08 η_{statA} = 33.2%
 YWF4E-400S-P102/47

LABEL:

WEIGUANG® Axial Fan Motor
 YWF4E-400S
 P102/47-G
 220V 50Hz 0.82A 112/180W
 1380r/min 6 μ F/450V CL.B XX/XX **CE**



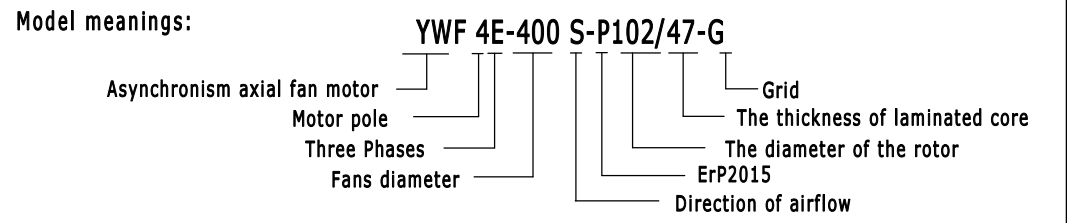
WEIGUANG® Axial fan motor

HANGZHOU WEIGUANG ELECTRONIC CO.,LTD

Unit: axial fan motor Type:
 Motor: single phase motor with capacitor Customer:
 Motor type:YWF4E-400S-P102/47-G Customer-type:

TYPE	Voltage v	Frequency Hz	Input power W	Current A	Speed r/min +/-5%	Air volume m ³ /h	noise level dBA	capacitor μ F/ VDB
YWF4E-400S-P102/47-G	220	50	180	0.82	1380	3760(20Pa)	67	6 μ F/450V

Insulation class : B Operating type: S₁
 Permissible ambient temperature : -30~60°C Temperature increase: $\Delta T \leq 75k$
 Motor protection:thermocontact 135±5°C Bearings: ball bearings
 License: CE CCC



Electrical connection:lead wire Silikon 4G 0.50mm², Length 100mm in terminal box connected
 Direction of rotation: clockwise(sucking), Airflow direction:"S" looking at rotor side

APPROX. WEIGHT
 MEANS

REV.	DESCRIPTION	APPROVED	DATE	ANGLE	DECIMAL	TOLERANCE	SIGN	DATE	TITLE
					X	±0.5	DRN. BY		YWF4E-400S-P102/47-G
					X.X	±0.25	CHD. BY		
					X.XX	±0.15	ENG. BY		
						±3°	APP. BY		

PROJECTION **A4**
 SCALE
 SHEET: of